



Datasheet Of 750W Servo Motor



750W 90ST-02430 Servo Motor

2.4Nm / 3000RPM

PD-Automatyka - dystrybutor produktów Lichuan w Polsce
www.lichuan.pl info@lichuan.pl

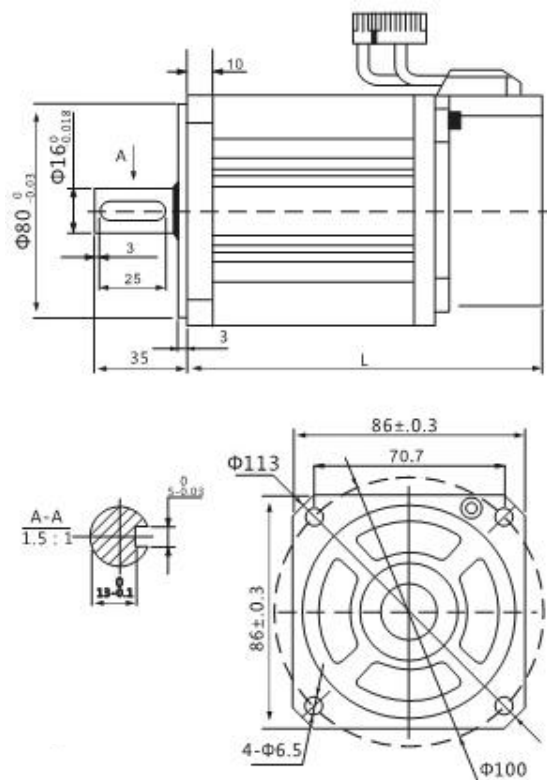
1. Naming Rules.....	3
2. Mechanical Specifications.....	3
3. Specifications.....	4

1. Naming Rules

LCMT - 07 L 02 NB - 90 M024 30 B

- LCMT---- Product information (LICHUAN Motor)
- 02----- 750W (04---400W / 07---750W / 10---1KW)
- L----- Motor inertia (L---low / M---middle)
- 02----- Sensing form
(01---line saving encoder 2500 02---15 type encoder 2500)
- N-----Without brake (Z---with brake)
- B----- Only keyway no oil seal
(A---only oil seal no keyway C---oil seal and keyway)
- 90----- Flange(90mm)
- M024----Torque(2.4Nm)
- 30----- Speed(3000rpm)
- B----- B series (A--- A series / C--- C series)

2. Mechanical Specifications



3. Specifications

Item	LCMT07L02NB-90M02430B
Rated Power	0.75KW
Rated Voltage	220V
Rated Current	3.0A (Max 9.0A)
Rated Speed	3000Rpm
Rated Torque	2.4N.m (Max 7.1N.m)
Flange	90mm*90mm
Shaft Diameter	16mm
Motor Length	149mm
Voltage Constant	51V/1000r/min
Torque Coefficient	0.8N.m/A
Rotor Inertia	2.45*10 ⁻⁴ kg.m ²
Line-line Phase Resistance	3.2Ω
Line-line Phase Inductance	7.0mH
Electrical Time Constant	2.2ms
Encoder Line Number	2500PPR
Weight	3.4Kg
Insulation Class	Class B(130℃)
Safety Class	IP66
Environment	Temperature:-20 to +50degree Humidity: <90%(non-condensing conditions)