



Datasheet Of 750W Servo Motor



750W 80ST-03520 Servo Motor

3.5Nm / 2000RPM

PD-Automatyka - dystrybutor produktów Lichuan w Polsce
www.lichuan.pl info@lichuan.pl

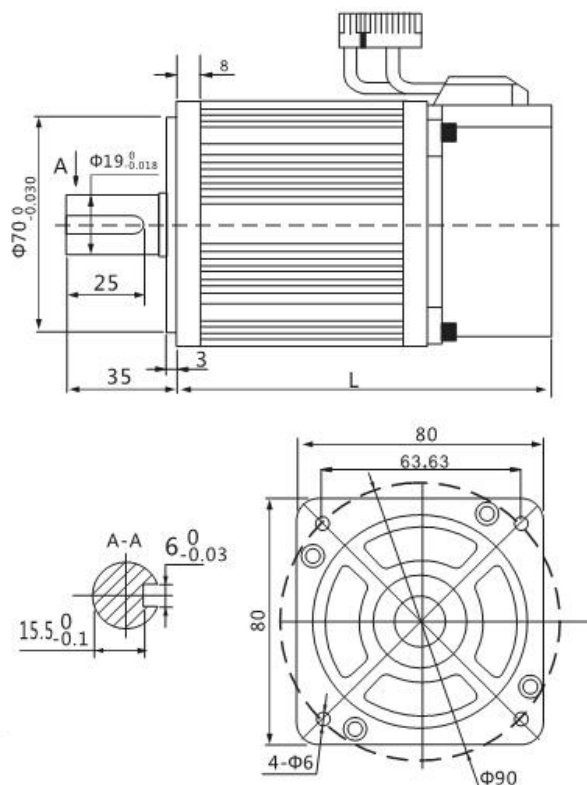
1. Naming Rules.....	3
2. Mechanical Specifications.....	3
3. Specifications.....	4

1. Naming Rules

LCMT - 07 L 02 NB - 80 M035 20 B

- LCMT---- Product information (LICHUAN Motor)
- 02----- 750W (04---400W / 07---750W / 10---1KW)
- L----- Motor inertia (L---low / M---middle)
- 02----- Sensing form
(01---line saving encoder 2500 02---15 type encoder 2500)
- N-----Without brake (Z---with brake)
- B----- Only keyway no oil seal
(A---only oil seal no keyway C---oil seal and keyway)
- 80----- Flange(80mm)
- M035----Torque(3.5Nm)
- 20----- Speed(2000rpm)
- B----- B series (A--- A series / C--- C series)

2. Mechanical Specifications



3. Specifications

Item	LCMT07L02NB-80M03520B
Rated Power	0.75KW
Rated Voltage	220V
Rated Current	3.0A (Max 9.0A)
Rated Speed	2000Rpm
Rated Torque	3.5N.m (Max 10.5N.m)
Flange	80mm*80mm
Shaft Diameter	19mm
Motor Length	178mm
Voltage Constant	71V/1000r/min
Torque Coefficient	1.17N.m/A
Rotor Inertia	2.63*10 ⁻⁴ kg.m ²
Line-line Resistance	3.65Ω
Line-line Inductance	8.8mH
Electrical Time Constant	2.4ms
Encoder Line Number	2500PPR
Weight	3.7Kg
Insulation Class	Class B(130℃)
Safety Class	IP65
Environment	Temperature:-20 to +50degree Humidity: <90%(non-condensing conditions)