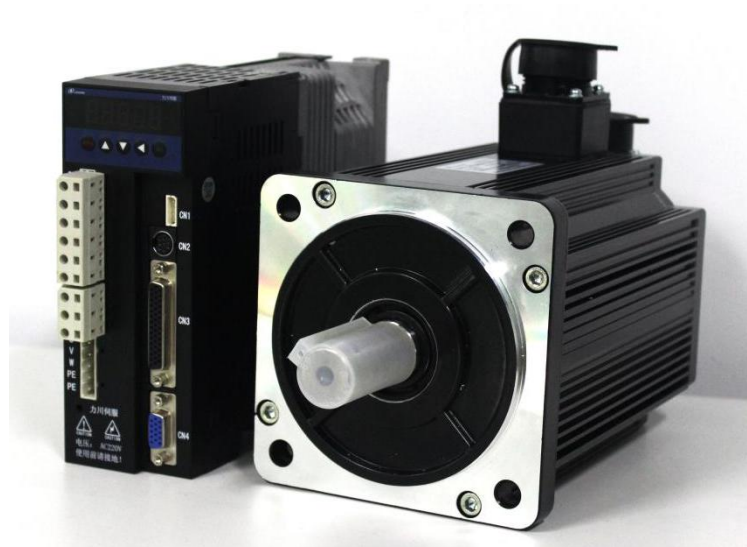




Datasheet Of 2.3KW Servo Motor



2.3KW 130ST-15015 Servo Motor

15Nm / 1500RPM

PD-Automatyka - dystrybutor produktów Lichuan w Polsce
www.lichuan.pl info@lichuan.pl

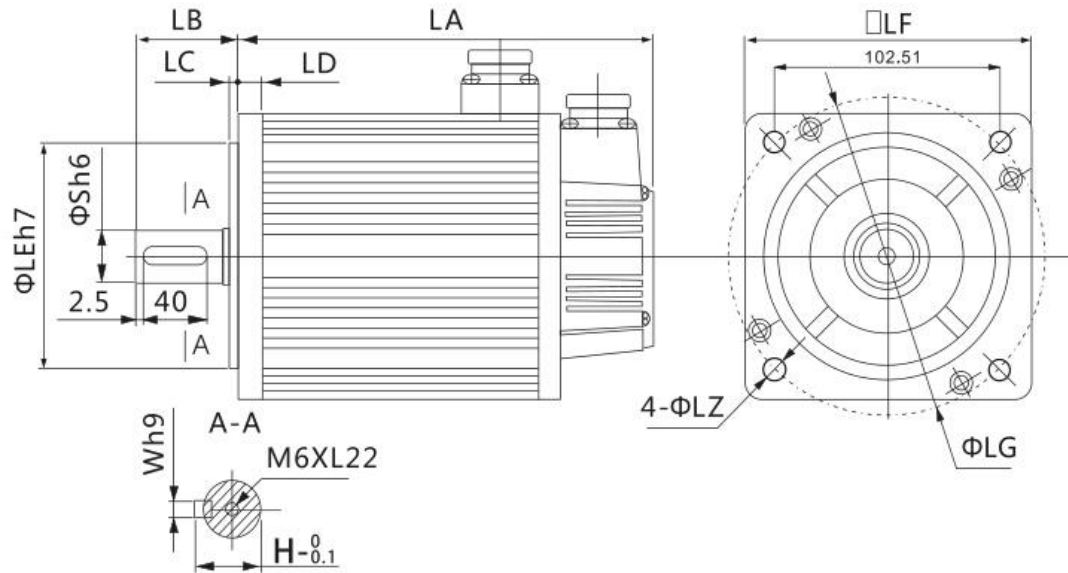
1. Naming Rules.....	3
2. Mechanical Specifications.....	4
3. Specifications.....	5

1. Naming Rules

LCMT - 23 L 02 NB - 130 M150 15 B

- LCMT---- Product information (LICHUAN Motor)
- 23----- 2.3KW (04---400W / 07---750W / 10---1KW)
- L----- Motor inertia (L---low / M---middle)
- 02----- Sensing form
(01---line saving encoder 2500 02---15 type encoder 2500)
- N-----Without brake (Z---with brake)
- B----- Only keyway no oil seal
(A---only oil seal no keyway C---oil seal and keyway)
- 130----- Flange(130mm)
- M150----Torque(15Nm)
- 15----- Speed(1500rpm)
- B----- B series (A--- A series / C--- C series)

2. Mechanical Specifications



130 系列 (series)										
额定转矩 Rated torque(N.m)	4	5	6	7.7	10			15		
					1000rpm	1500rpm	2500rpm	1500rpm	2500rpm	
LA	166	171	179	192	213			209	241	231
LB	57	57	57	57	57			57		
LC	5	5	5	5	5			5		
LD	14	14	14	14	14			14		
LE	110	110	110	110	110			110		
LF	130	130	130	130	130			130		
LG	145	145	145	145	145			145		
LZ	9	9	9	9	9			9		
S	22	22	22	22	22			22		
H	24.5	24.5	24.5	24.5	24.5			24.5		
W	6	6	6	6	6			6		

3. Specifications

Item	LCMT23L02NB-130M15015B
Rated Power	2.3KW
Rated Voltage	220V
Rated Current	9.5A
Rated Speed	1500Rpm
Rated Torque	15N.m (Max 30N.m)
Flange	130mm*130mm
Shaft Diameter	22mm
Motor Length	241mm
Voltage Constant	114V/1000r/min
Torque Coefficient	1.58N.m/A
Rotor Inertia	2.77*10 ⁻³ kg.m ²
Line-line Phase Resistance	1.1Ω
Line-line Phase Inductance	4.45mH
Electrical Time Constant	4.05ms
Encoder Line Number	2500PPR
Weight	14.4Kg
Insulation Class	Class B(130°C)
Safety Class	IP66
Environment	Temperature:-20 to +50degree Humidity: <90%(non-condensing conditions)