



Datasheet Of 1.5KW Servo Motor



1.5KW 110ST-05030 Servo Motor

5Nm / 3000RPM

1. Naming Rules.....	3
2. Mechanical Specifications.....	4
3. Specifications.....	5

1. Naming Rules

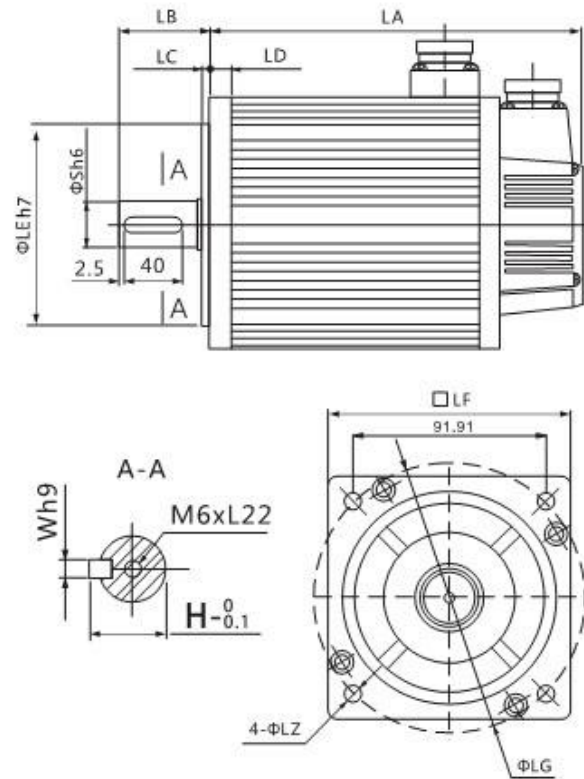
LCMT - 15 L 02 NB - 110 M050 30 B

- LCMT---- Product information (LICHUAN Motor)
- 15----- 1.5KW (04---400W / 07---750W / 10---1KW)
- L----- Motor inertia (L---low / M---middle)
- 02----- Sensing form
(01---line saving encoder 2500 02---15 type encoder 2500)
- N-----Without brake (Z---with brake)
- B----- Only keyway no oil seal
(A---only oil seal no keyway C---oil seal and keyway)
- 110----- Flange(110mm)
- M050----Torque (5Nm)
- 20----- Speed (3000rpm)
- B----- B series (A--- A series / C--- C series)

2. Mechanical Specifications

110系列 (series)				
额定转矩 (N.m) Rated torque(N.m)	2	4	5	6
LA	159	189	204	219
LB	55	55	55	55
LC	5	5	5	5
LD	12	12	12	12
LE	95	95	95	95
LF	110	110	110	110
LG	130	130	130	130
LZ	9	9	9	9
S	19	19	19	19
H	21.5	21.5	21.5	21.5
W	6	6	6	6

Other Special requirements Iplease contact the MIGE Technology to negotiate



3. Specifications

Item	LCMT15L02NB-110M05030B
Rated Power	1.5KW
Rated Voltage	220V
Rated Current	6.0A
Rated Speed	3000Rpm
Rated Torque	5N.m (Max 15N.m)
Flange	110mm*110mm
Shaft Diameter	19mm
Motor Length	204mm
Voltage Constant	62V/1000r/min
Torque Coefficient	0.83N.m/A
Rotor Inertia	0.63*10 ⁻³ kg.m ²
Line-line Phase Resistance	1.03Ω
Line-line Phase Inductance	3.43mH
Electrical Time Constant	3.33ms
Encoder Line Number	2500PPR
Weight	6.1Kg
Insulation Class	Class B(130℃)
Safety Class	IP65
Environment	Temperature:-20 to +50degree Humidity: <90%(non-condensing conditions)