



Datasheet Of 1.2KW Servo Motor



1.2KW 110ST-06020 Servo Motor

6Nm / 2000RPM

1. Naming Rules.....	3
2. Mechanical Specifications.....	4
3. Specifications.....	5

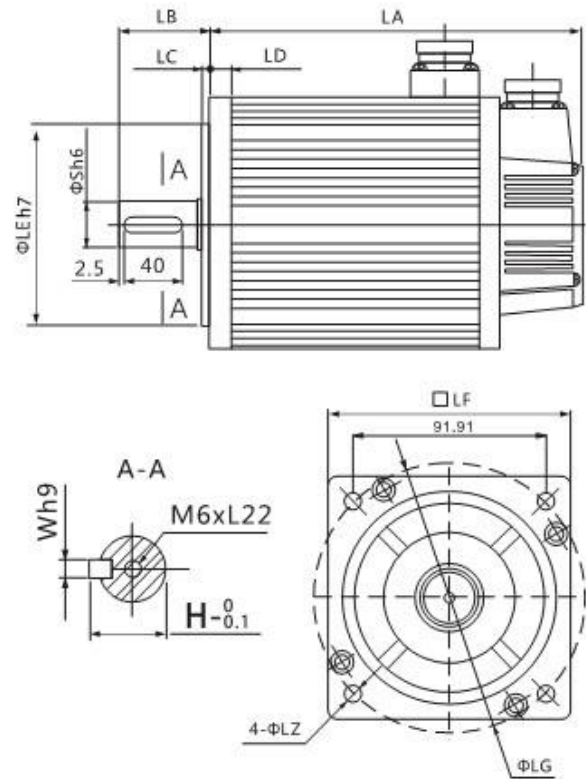
1. Naming Rules

LCMT - 12 M 02 NB - 110 M060 20 B

- LCMT---- Product information (LICHUAN Motor)
- 12----- 1.2KW (04---400W / 07---750W / 10---1KW)
- M----- Motor inertia (L---low / M---middle)
- 02----- Sensing form
(01---line saving encoder 2500 02---15 type encoder 2500)
- N-----Without brake (Z---with brake)
- B----- Only keyway no oil seal
(A---only oil seal no keyway C---oil seal and keyway)
- 110----- Flange(110mm)
- M060----Torque (6Nm)
- 20----- Speed (2000rpm)
- B----- B series (A--- A series / C--- C series)

2. Mechanical Specifications

110系列 (series)				
额定转矩 (N.m) Rated torque(N.m)	2	4	5	6
LA	159	189	204	219
LB	55	55	55	55
LC	5	5	5	5
LD	12	12	12	12
LE	95	95	95	95
LF	110	110	110	110
LG	130	130	130	130
LZ	9	9	9	9
S	19	19	19	19
H	21.5	21.5	21.5	21.5
W	6	6	6	6



Other Special requirements please contact the MIGE Technology to negotiate

3. Specifications

Item	LCMT12M02NB-130M06020B
Rated Power	1.2KW
Rated Voltage	220V
Rated Current	4.5A
Rated Speed	2000Rpm
Rated Torque	6N.m (Max 12N.m)
Flange	110mm*110mm
Shaft Diameter	19mm
Motor Length	219mm
Voltage Constant	83V/1000r/min
Torque Coefficient	1.3N.m/A
Rotor Inertia	0.76*10 ⁻³ kg.m ²
Line-line Phase Resistance	1.46Ω
Line-line Phase Inductance	4.7mH
Electrical Time Constant	3.2ms
Encoder Line Number	2500PPR
Weight	6.7Kg
Insulation Class	Class B(130℃)
Safety Class	IP65
Environment	Temperature:-20 to +50degree Humidity: <90%(non-condensing conditions)